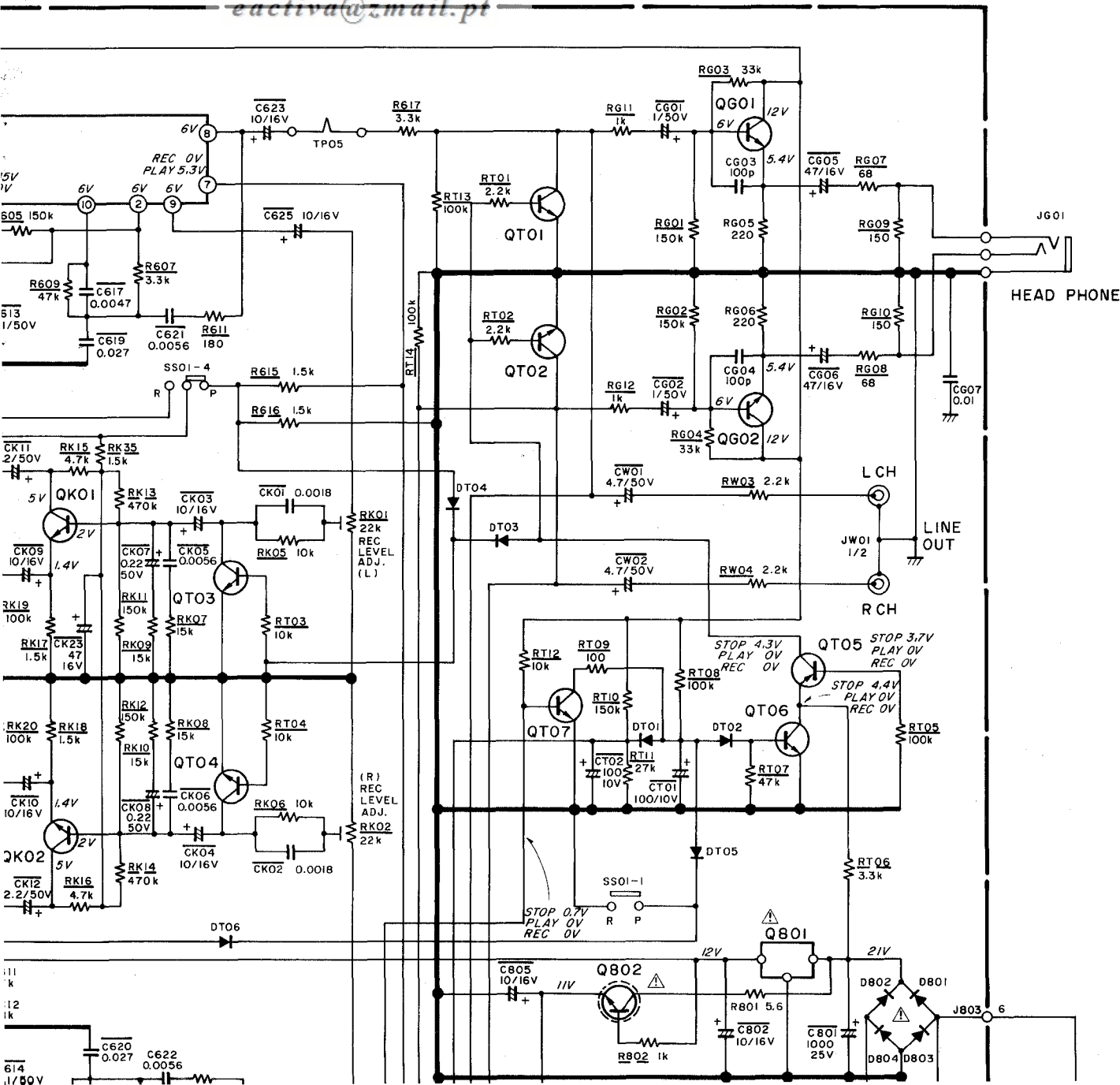
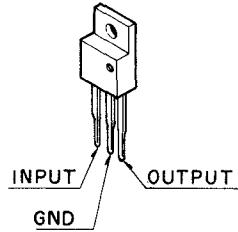


# SCHEMATIC DIAGRAM FOR Model SD151



Q601, Q602  
 HC10058050  
 TA7629

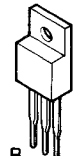
QG01, QG02  
 QTO1~ QTO4, QTO6  
 QT07, QK01, QK02  
 QSO1, QSO7, QSO8  
 HT30001000  
 2SC536SP, 2SC2458, etc



QE01, QE02  
 HT32784IU0  
 2SC2784 (U)

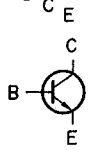
NJM7812A

QX01  
 HC1069050  
 TA7666P



QT05  
 HT10001000  
 2SA608SP, 2SA1048, etc

QL01  
 HT40471IK0  
 2SD471 (K)

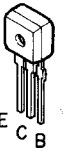


QL02, Q802  
 HT40313IE0  
 2SD313 (E)

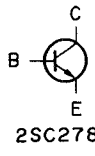
2SD313(E)

QJ01  
 HC10109050  
 TA7405P

Q801  
 HC38512090  
 NJM7812A



DX01~ DX06  
 HI10038320  
 GL-9PG24 (GRN)

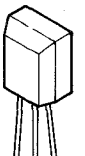


DX07~ DX10  
 HI10032320  
 GL-9PR24 (RED)

DT01~ DT06  
 HD20015210  
 ISS133

2SC2784 (U)

D801~ D804  
 HD20016216  
 ISR35



DY01~ DY04  
 HI10038030  
 SLP-281F-50 (GRN)

DY08  
 HI10037030  
 SLP-981C-50 (RED)

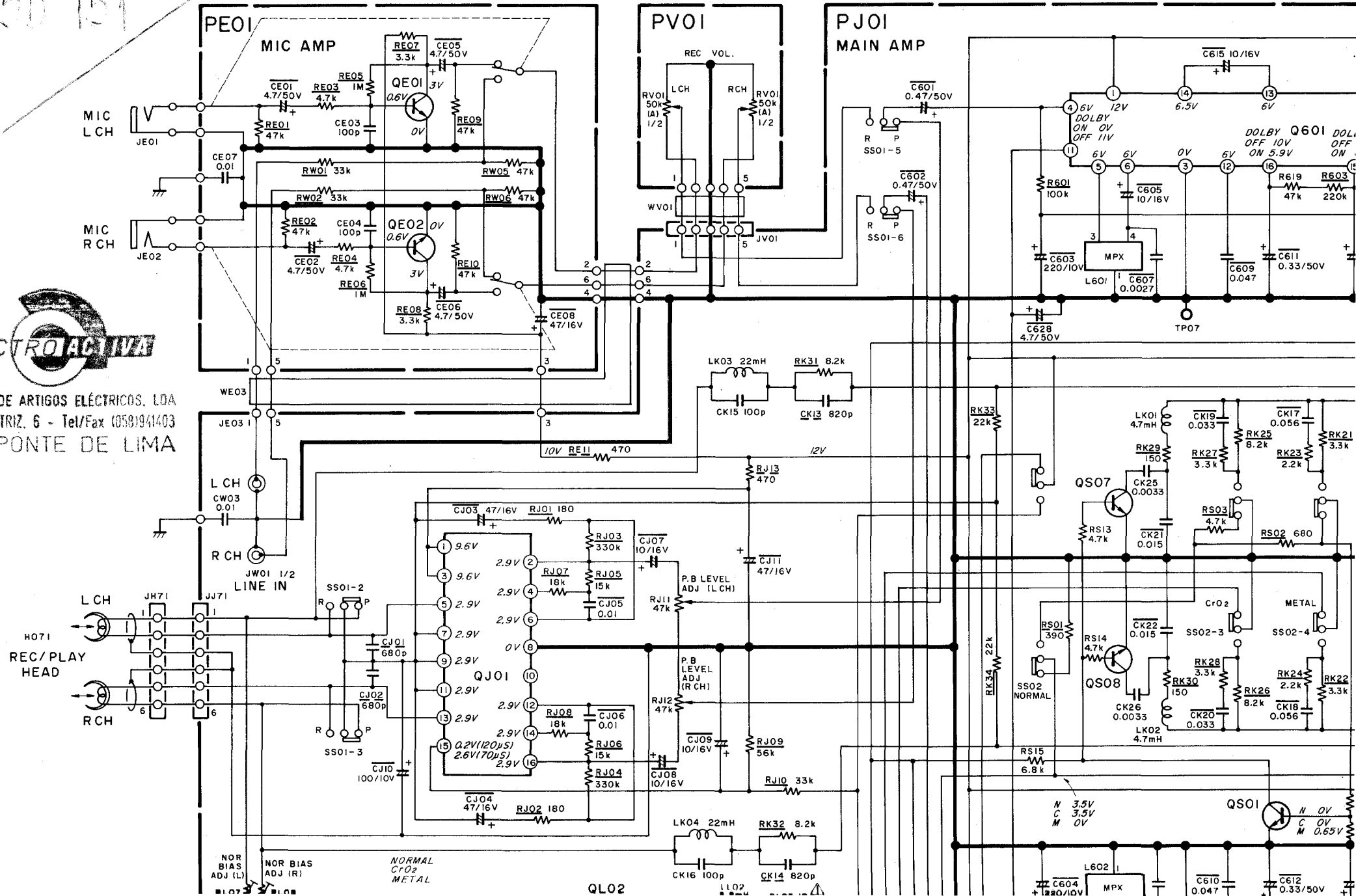
# marantz

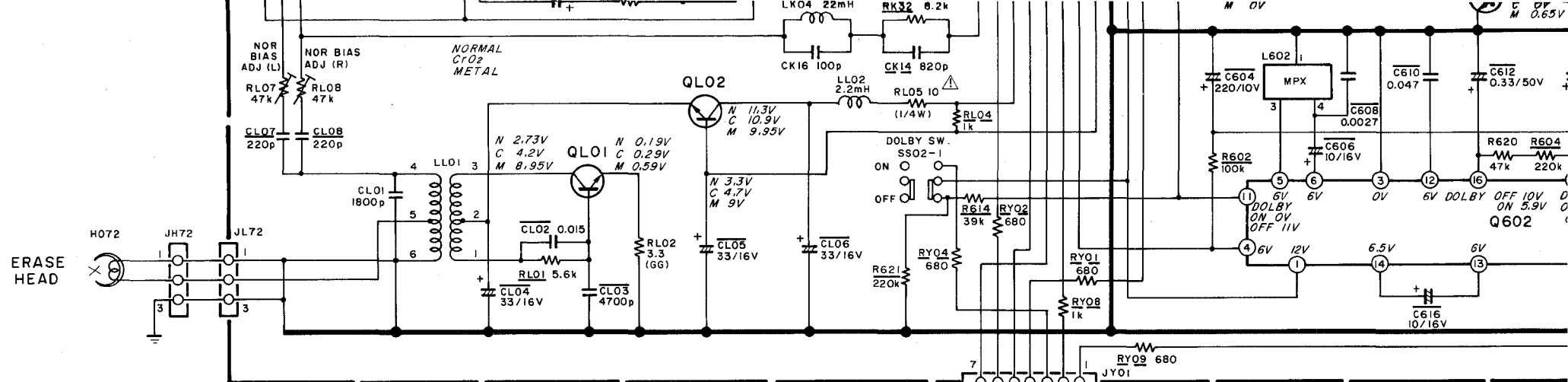
SD 151



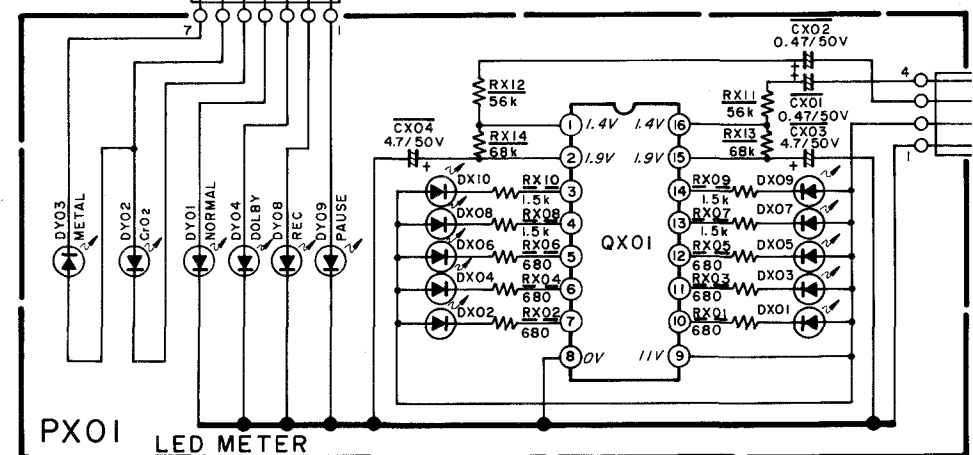
COMÉRCIO DE ARTIGOS ELÉTRICOS. LDA  
Rua da MATRIZ, 6 - Tel/Fax (050)941403  
4990 PONTE DE LIMA

### REC LEVEL VOLUME





L601	LS10440010	M.P.X. COIL
L602	LS10440010	M.P.X. COIL
JG01	YJ01002340	JACK HEADPHONE (BLACK)
JG01	YJ01002330	JACK HEADPHONE (GRAY)
JE01	YJ01002390	JACK MIC (L) (BLACK)
JE01	YJ01002370	JACK MIC (L) (GRAY)
JE02	YJ01002390	JACK MIC (R) (BLACK)
JE02	YJ01002370	JACK MIC (R) (GRAY)
LL01	TC10140300	OSC TRANSFORMER
LL02	LC22250610	CHOCK COIL
RL07	RA04730600	TRIMMING RESISTOR
RL08	RA04730600	TRIMMING RESISTOR
RJ11	RA04730600	TRIMMING RESISTOR
RJ12	RA04730600	TRIMMING RESISTOR
G001	DK18103310	CERAMIC 0.01μF
J091	BY05060060	VOLTAGE SELECTOR (E)
J093	YP04000580	PLUG AC INLET
L001	TS14820140	POWER TRANSFORMER (A, N)
L001	TS14820150	POWER TRANSFORMER (E)
S801	SP02010910	PUSH POWER SWITCH
LK01	LC24750610	CHOCK COIL
LK02	LC24750610	CHOCK COIL
LK03	LC22260610	CHOCK COIL
LK04	LC22260610	CHOCK COIL
SS01	SS06020560	SLID REC/PLAY SWITCH
JW01	YT02040500	TERMINAL RCA JACK
SS02	SP02040340	PUSH TAPE SELECTOR SWITCH
RV01	RD05030200	VARIABLE REC VOLUME RESISTOR



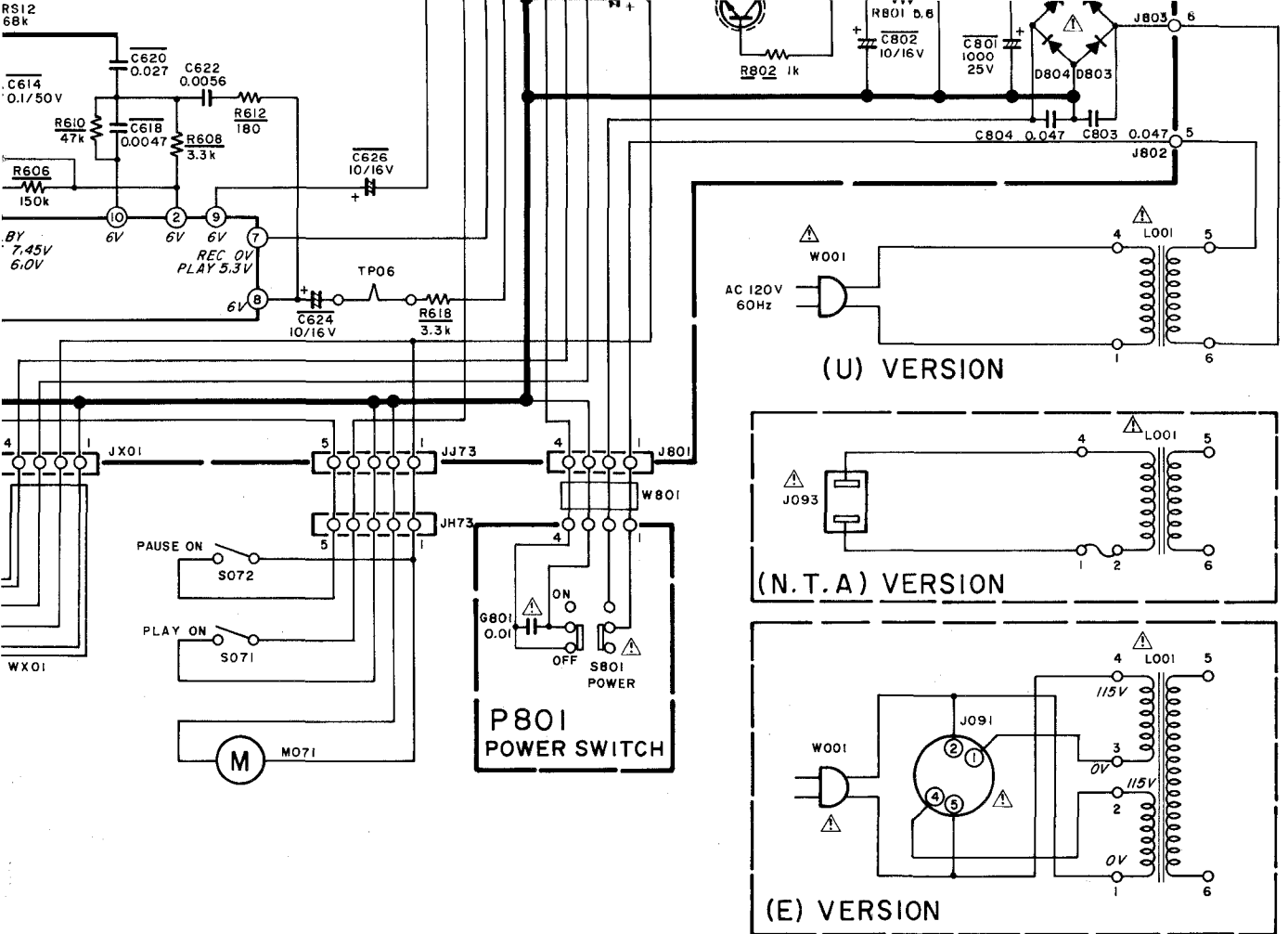
015B	160T052010	COUNTER
020F	143T264020	BELT
H071	LH42821050	HEAD REC/PLAY
H072	LH31000580	HEAD ERASE
M071	MM11200270	D.C. MOTOR
S073	SM01011190	MINI PLAY SWITCH
S074	SM01011190	MINI PAUSE SWITCH
055M	252T354110	LEVER PINCH ARM ASSY
106M	161T117210	SPINDLE TAKE UP REEL (K)
110M	161T117200	SPINDLE SUPPLY REEL (K)
156M	252T264110	BELT AUTO STOP
230M	161T264210	BELT MAIN
231M	161T264200	BELT F/R



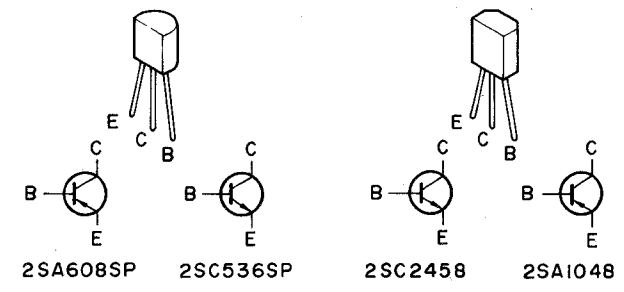
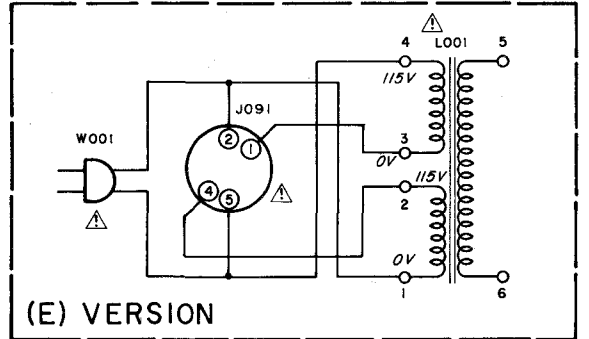
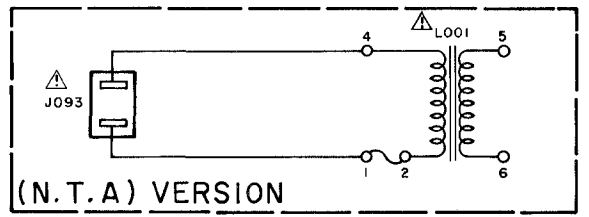
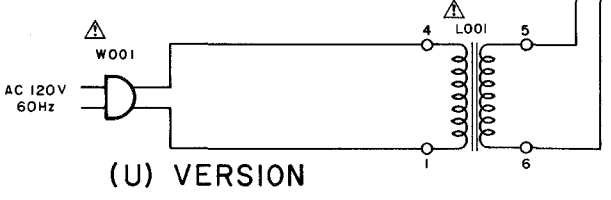
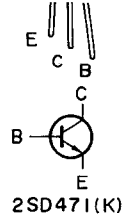
COMÉRCIO DE ARTIGOS ELÉTRICOS. LDA  
Rua da MATRIZ, 6 - Tel/Fax (051)941403  
4990 PONTE DE LIMA

**NOTE ON SAFETY :**

Symbol  $\Delta$  Fire or electrical shock hazard. Only original parts should be used to replace any part marked with symbol  $\Delta$ . Any other component substitution (other than original

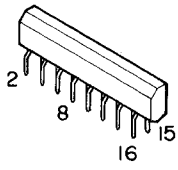


SLP-281F-50 (GRN)  
 DY08  
 HI10037030  
 SLP-981C-50 (RED)  
 DY09  
 HI10046030  
 SLP-481C-50 (ORG)

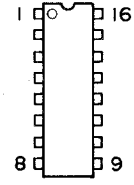


SIDE VIEW

TOP VIEW



TA7405P



TA7666P  
TA7629



COMÉRCIO DE ARTIGOS ELÉTRICOS, LDA  
 Rua da MATRIZ, 6 - Tel/Fax (058)241493  
 4990 PONTE DE LIMA

"SERVICE INFORMATION IS FOR USE BY QUALIFIED PERSONNEL ONLY - ANY MISADJUSTMENT OR MISALIGNMENT MAY BE TREATED AS A NON-WARRANTY REPAIR BY ANY MARANTZ SERVICE CENTRE"

Kind of Common Parts

- RESISTOR**  
 R\*\*\* (1) GD05 --- 140, Carbon film fixed resistor, ±5% 1/4W  
 R\*\*\* (2) GD05 --- 160, Carbon film fixed resistor, ±5% 1/6W
- CERAMIC CAP.**  
 C\*\*\* (1) DD1 ---- 370, Ceramic condenser, disc type (titan condenser) Temp. coeff. P350 ~ N1000 50V
- CERAMIC CAP.**  
 C\*\*\* (1) DK16 --- 300, High dielectric constant ceramic condenser, disc type (titan variable)

- ELECTROLY CAP. (≡) / FILM CAP. (≡)**  
 (1) EA ----- 10, Electrolytic condenser, one-way lead type, tolerance ±20%  
 (2) DF15 --- 350, Plastic film condenser, one-way type, Mylar, ±5% 50V

\* In case of ordering the common parts, please establish the correct parts number of 10 figures by the procedure "ASSIGNMENT OF COMMON PARTS CODES"